



Piston pump GMT-A battery powered

The piston pump GMT-A/401 is designed for the supply of one lubrication point, the piston pump GMT-A/402 of two lubrication points with grease. Both outlets of the GMT-A/402 deliver alternately the same volume of lubricant. The battery powered piston pump is limited suitable for outdoor use. If necessary protect the pump by a suitable covering!

Technical data:

Number of outlets:	1 ... 2
Temperature range:	min. -20 ... +60 °C
Pressure build-up during conveying	70 bar
Protecting class:	DIN EN 60529 IP54
Delivery volume per piston stroke:	0,15 ml
Piston strokes per lubrication interval:	1 ... 30
Period for discharging of a 400 ml-cartridge:	1 ... 36 months
Battery life time:	min. discharge of one cartridge
Lubricant:	Grease up to NLGI 2
Cartridge content:	400 ml
Hose connector:	rectangular, rotatable for hose D=6 mm
Mounting orientation:	user-defined
Weight without cartridge and battery:	approx. 1,1 kg
Software version:	B02

Product description

Battery powered piston pump GMT-A is a high efficient microprocessor controlled pump designed for specific and needs-oriented direct supply of lubrication points with grease. At this lubricant pump of the newest generation the lubricant interval and lubricant delivery volume are individually adjustable. The easy manual input of the parameters/data entry will be done by the stylus on the input field on the front side of the pump. The input menu is visualized on a LCD display above the input field.

Additionally the display offers the possibility to monitor the conditions of the pump (empty level, properly motor running and error indication). Furthermore occurring errors and empty level are indicated by an optical signal of a red LED in the display.

A special 3 V lithium battery (primary cell, not rechargeable) is responsible for the power supply of the pump. This special battery is part of the accessory.

The lubricant is located above the pump drive unit in separate cartridges. The pre-filled lubricant cartridges (400 ml) are part of the accessory.

Important remark

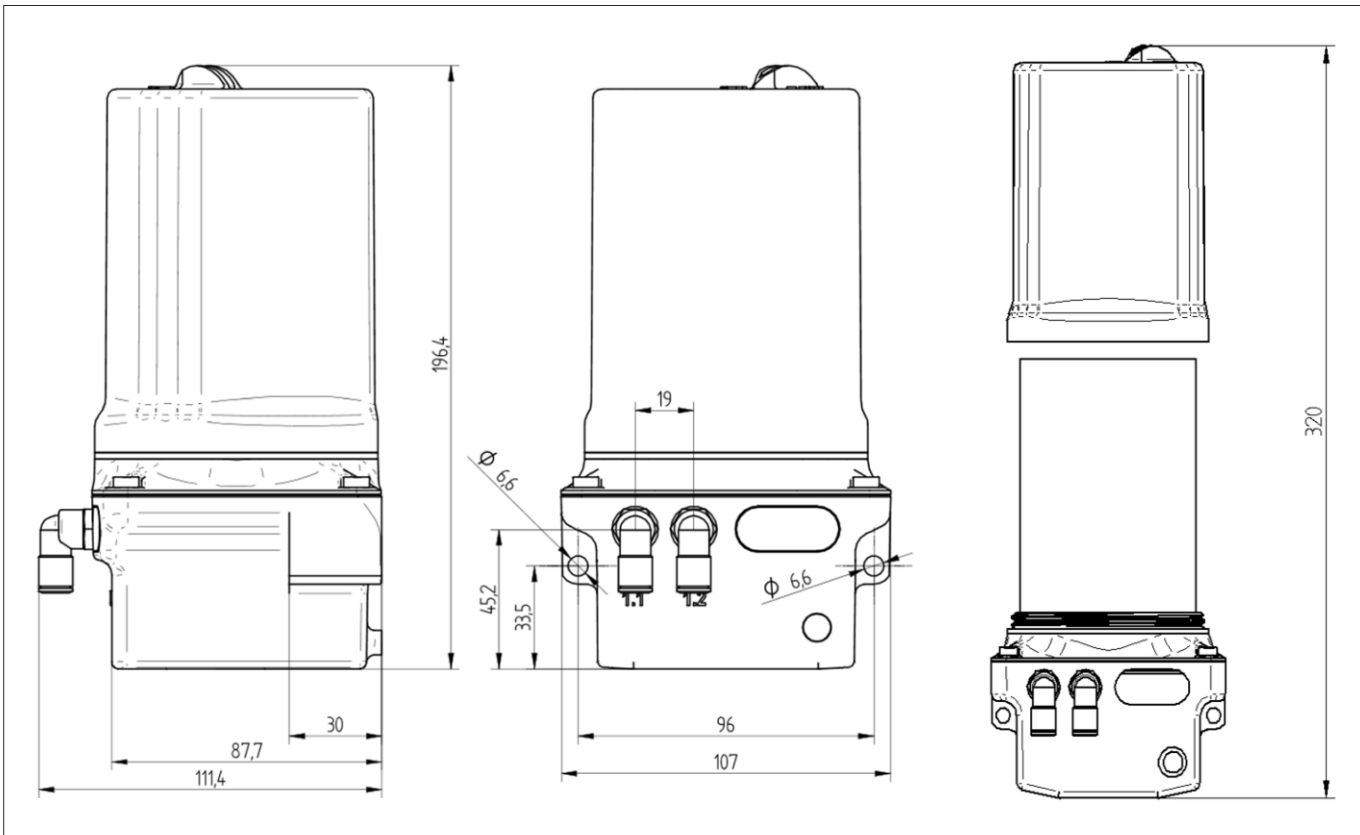
In order to ensure a trouble-free operation of the pump, depart neither the original hose connecting part nor the original closing plug!

Materials:

Transparent upper cover:	Polyamide
Pressure plate:	Polyamide
Pressure springs:	Spring steel
Cartridge:	Polypropylene, polyethylene
Housing pump drive unit:	Zinc, nickel-plated
Cover pump drive unit:	Polyamide
Screws:	stainless steel
Hose connector parts:	Brass, nickel-plated

Scope of delivery:

Piston pump without cartridge and battery. These can be selected and ordered from the accessories.



Order designation:



Number of outlets	Drive	Hose connection
1 outlet (401)	Battery driven (B)	Hose $\varnothing 6$ (6)
2 outlets (402)		

Accessories: (please order no. specify)

Cartridge 400 g filled with

Grease TSG M 2:	752.696-20
Grease TSG FG 2:	752.696-21
Grease TSG HS 1:	752.696-22
Grease TSG HS 2:	752.696-23
Grease TSG HT 2:	752.696-24
Grease TSG LT 2:	752.696-25
Grease TSG OG 1:	752.696-26
Grease TSG OG 2:	752.696-27
Grease TSG U 2:	752.696-28

Order example:

Piston pump with two outlets, battery driven, hose connection $\varnothing 6$.

Order designation:

GMT-A/402/B/6

Battery:

3 V 7000 mAh

752.696-50

Other applicable technical documentation to this product:

- P0872 EN Cartridge and greases
- B0870 DE Betriebsanleitung GMT-A
- B0873 DE Betriebsanleitung Software B02



Piston pump GMT-A 24 V powered

The piston pump GMT-A/401 is designed for the supply of one lubrication point, the piston pump GMT-A/402 of two lubrication points with grease. Both outlets of the GMT-A/402 deliver alternately the same volume of lubricant.

At the piston pumps GMT-A/403 and GMT-A/404 the two outlet pairs 1.1/1.2 and 2.1/2.2 supply lubricant independently from each other.

Technical data:

Number of outlets:	1 ... 4
Temperature range:	-20 ... +70 °C
Pressure build-up during conveying:	70 bar
Protecting class:	DIN EN 60529 IP54
Delivery volume per piston stroke:	0,15 ml
Lubricant:	Grease up to NLGI 2
Cartridge content:	400 ml
Hose connector:	rectangular, rotatable for hose D=6 mm
Mounting orientation:	user-defined
Weight without cartridge:	1,45 kg
Software version:	D2

Product description

The piston pump GMT-A is a highly efficient, microprocessor-controlled pumps for specific, requirement-based direct supply of grease to lubricating points. In this lubricant pump of the latest generation the lubrication intervals and lubricant quantities can be controlled individually by a factory/machine side PLC.

The signal pulse generated by the PLC is transferred by a wired signal connection (connecting cable is available as accessories) to the piston pump. The control system of the piston pump also enables return signalling for status monitoring of the pump by the PLC (empty level, proper running, motor run monitoring, error message).

In order to initiate a signal for empty level the pressure plate is equipped with a permanent magnet. In case of empty level the magnet switch contactless a contact in the pump. The pump control system recognizes the empty level status and initiates an explicit signal which is sent for evaluation to the wire connected PLC.

The voltage supply of the piston pump takes place via an external factory/machine side 24 VDC power supply.

The lubricant is located above the pump drive unit in separate cartridges. The pre-filled lubricant cartridges (400 ml) are part of the accessory.

Important remark

In order to ensure a trouble-free operation of the pump, don't depart the original hose connecting parts!

A description in detail of the pump control software D2 and all relevant signals for initiation of the pump (conveying a defined lubricant quantity and for a defined sequence of pump motor runs) is laid down in a separate data sheet of the software D2!

Materials:

Transparent upper cover:	Polyamide
Pressure plate:	Polyamide
Pressure springs:	Spring steel
Cartridge:	Polypropylene, polyethylene
Housing pump drive unit:	Zinc, nickel-plated
Cover pump drive unit:	Polyamide
Screws:	stainless steel
Hose connector parts:	Brass, nickel-plated

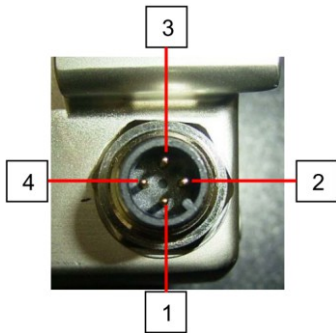
Scope of delivery:

Piston pump without battery and cartridge. These can be selected and ordered from the accessories.

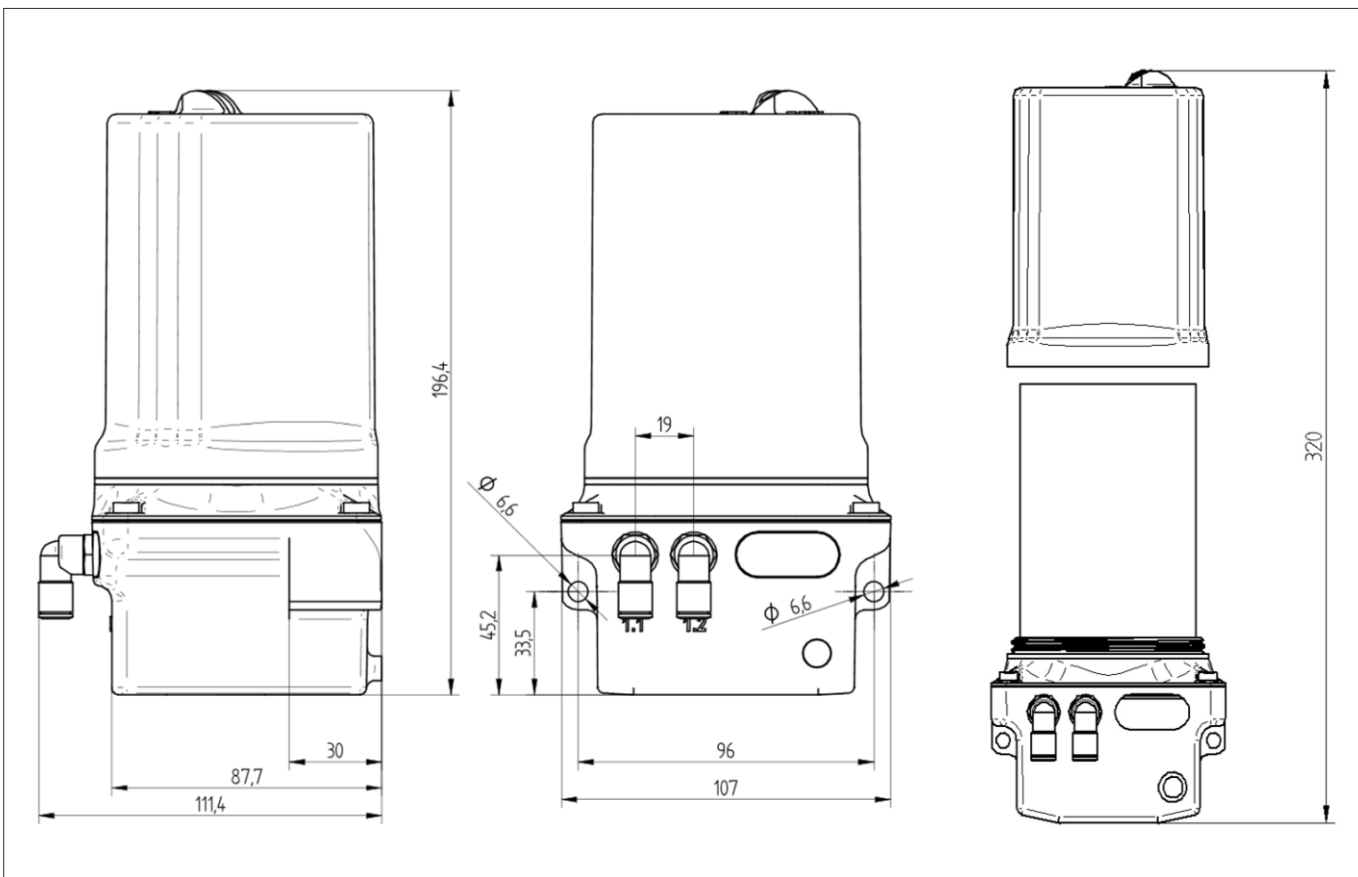


Connecting plug: M12x1, 4-pin A-coding 1

Plug pin assignment:



- PIN 1 Input voltage
+24 VDC +/-5%
Current consumption max. 300 mA
- PIN 2 Activation of the pump by
INPUT signal
+24 VDC +/-5%
- PIN 3 Ground (GND)
- PIN 4 Return signalling by
OUTPUT signal
+24 VDC
Current load capacity max. 100 mA,
not short-circuit-proof, no inductive load



- Subject to modifications -



Order designation:



Number of outlets	Drive	Hose connection
1 outlet ④01		
2 outlets ④02	24 V DC motor	Hose ø6
3 outlets ④03	④24	④6
4 outlets ④04		

Accessories: (please order no. specify)

Cartridge 400 g
filled with

Fett TSG M 2:	752.696-20
Fett TSG FG 2:	752.696-21
Fett TSG HS 1:	752.696-22
Fett TSG HS 2:	752.696-23
Fett TSG HT 2:	752.696-24
Fett TSG LT 2:	752.696-25
Fett TSG OG 1:	752.696-26
Fett TSG OG 2:	752.696-27
Fett TSG U 2:	752.696-28

- Subject to modifications -

Order example:

Piston pump with two outlets, DC motor
driven, hose connection ø6.

Order designation:

GMT-A/402/24/6

Other applicable technical documentation to this product:

P0872 EN Cartridges and greases

B0874 DE Betriebsanleitung Software D2

Important information about this data sheet

Reproduction, also in extracts, only permitted with the approval of the firm of EUGEN WOERNER GmbH & Co. KG.

All the information in this data sheet has been examined for correctness with great care. Nevertheless, WOERNER cannot assume any liability for losses or damage resulting directly or indirectly from the application of the information contained in this data sheet.

All products from WOERNER may only be used as intended and corresponding to the information in this data sheet.

For products supplied with operating instructions, the additional directives and information contained in them are to be complied with.

Materials deviating from those mentioned in this data sheet and the technical documents which further apply may only be poured into and processed in the appliances and systems manufactured and supplied by WOERNER by following agreement with and written approval by WOERNER.

The safety and danger information stated in the safety data sheets of the substances used must be taken into account at all costs.

Transportation of gases, liquefied gases, gases under pressure, vapours and liquids, the vapour pressure of which is more than 0,5 bar above normal atmospheric pressure (1013 mbar) at the maximum admissible temperature, of easy inflammable or explosive media as well as transportation of foodstuffs is forbidden.

Information on EU Directive 2011/95/EU (RoHS)

In its controls and switching devices, WOERNER only uses materials which fulfil the criteria of EU Directive 2011/95/EU. To the extent that hexavalent chromium has been used as corrosion protection in the parts which we produce ourselves, it has already been replaced by other environmentally tolerable protective measures.

The mechanical devices supplied by WOERNER are not affected by EU Directive 2011/95/EU.

But as WOERNER is conscious of its responsibility towards the environment, we shall also use materials fulfilling the requirements of the Directive for devices not covered by EU Directive 2011/95/EU as soon as they are generally available and their use is technically possible.